

SolarGrid Energy Solutions

Battery Energy Storage System Container Base Station



Overview

What is a containerized battery energy storage system?

Containerized Battery Energy Storage Systems (BESS) are essentially large batteries housed within storage containers. These systems are designed to store energy from renewable sources or the grid and release it when required. This setup offers a modular and scalable solution to energy storage.

What is a battery energy storage system?

Battery Energy Storage Systems (BESS) have become a cornerstone technology in the pursuit of sustainable and efficient energy solutions. This detailed guide offers an extensive exploration of BESS, beginning with the fundamentals of these systems and advancing to a thorough examination of their operational mechanisms.

What is a battery energy storage system (BESS)?

The amount of renewable energy capacity added to energy systems around the world grew by 50% in 2023, reaching almost 510 gigawatts. In this rapidly evolving landscape, Battery Energy Storage Systems (BESS) have emerged as a pivotal technology, offering a reliable solution for storing energy and ensuring its availability when needed.

Are energy storage containers a viable alternative to traditional energy solutions?

These energy storage containers often lower capital costs and operational expenses, making them a viable economic alternative to traditional energy solutions. The modular nature of containerized systems often results in lower installation and maintenance costs compared to traditional setups.

What is a 4 MWh battery storage system?

4 MWh BESS includes 16 Lithium Iron Phosphate (LFP) battery storage racks arranged in a two-module containerized architecture; racks

are coupled inside a DC combiner panel. Power is converted from direct current (DC) to alternating current (AC) by tw.

Can a battery storage system increase power system flexibility?

sive jurisdiction.—2. Utility-scale BESS system description— Figure 2.Main circuit of a BESSBattery storage systems are emerging as one of the potential solutions to increase power system flexibility in the presence of variable energy resources, suc

Battery Energy Storage System Container Base Station



Container Energy Storage Battery Power Stations: The Future ...

Feb 10, 2024 · Imagine a world where shipping containers do more than transport goods--they power cities. That's exactly what container energy storage battery power stations are ...

Battery energy storage system (BESS) container, ...

5 days ago · Battery energy storage system container , BESS container / enclosure About Battery energy storage system container, BESS container / ...



The Ultimate Guide to Battery Energy Storage ...

Apr 6, 2024 · Maximize your energy potential with advanced battery energy storage systems. Elevate operational efficiency, reduce expenses, and amplify ...



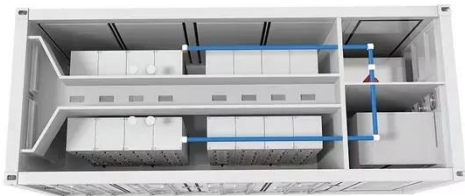
20ft Containe 1MWH Battery Energy Storage ...

Aug 2, 2023 · 1MWh Battery Energy Solar System Introduction PKNERGY
1MWh Battery Energy Solar System is a highly integrated, large-scale all-in-one

...



Energy Storage System



Aug 20, 2025 · CATL's energy storage systems provide users with a peak-valley electricity price arbitrage mode and stable power quality management. CATL's electrochemical energy ...

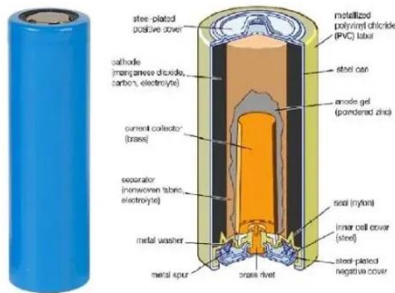
1MW 1000kW/3.5MWh 3500kWh Battery Energy ...

Apr 8, 2023 · The main principle of industrial ESS is to make use of lithium iron phosphate battery as energy storage, automatically charges and discharges ...



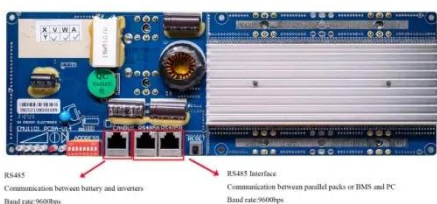
All-in-One Battery Energy Storage Systems , GSL ...

GSL Energy's Commercial & Industrial All-in-One Battery Energy Storage Systems (BESS) are fully integrated energy solutions designed to meet the ...



Battery Energy Storage Systems Report

Jan 18, 2025 · This information was prepared as an account of work sponsored by an agency of the U.S. Government. Neither the U.S. Government nor any agency thereof, nor any of their ...



RS485
Communication between battery and inverters
Band rate 9600bps

RS485 Interface
Communication between parallel packs or BMS and FC
Band rate 9600bps

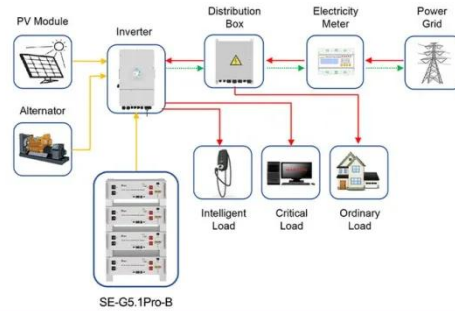
Grid-Scale Battery Storage: Frequently Asked Questions

Jul 11, 2023 · What is grid-scale battery storage? Battery storage is a technology that enables power system operators and utilities to store energy for later use. A battery energy storage ...

Battery energy storage system (BESS) integration into power ...

5 days ago · Battery energy storage systems (BESS) use rechargeable battery technology, normally lithium ion

(Li-ion) to store energy. The energy is stored in chemical form and ...



Application scenarios of energy storage battery products



Boosting EV Charging Efficiency: The Power of ...

Sep 9, 2024 · To address these pain points, integrating Battery Energy Storage Systems (BESS) with charging stations has emerged as a game-changing ...

Introduction and benefits of BESS container

As the world turns to rapidly growing renewable energy deployments such as wind and solar, finding reliable ways to store energy is more important than ...



Energy Storage System Products List , HUAWEI Smart PV ...

Energy Storage System Products List covers all Smart String ESS products, including LUNA2000, STS-6000K, JUPITER-9000K, Management System



and other accessories product series.

Top Battery Energy Storage System (BESS) ...

Dec 12, 2024 · The 2023 rankings by the Zhongguancun Energy Storage Industry Technology Alliance highlight China's top battery energy storage system ...

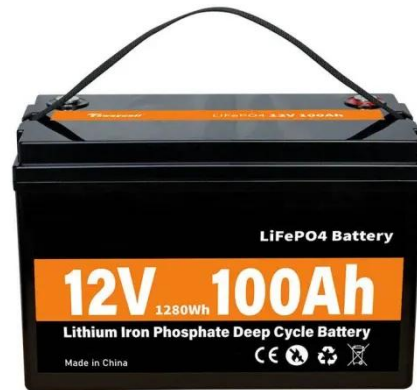


HANDBOOK FOR ENERGY STORAGE SYSTEMS

ABOUT THE ENERGY MARKET AUTHORITY
The Energy Market Authority ("EMA") is a statutory board under the Ministry of Trade and Industry. Our main goals are to ensure a ...

Sunway 300Kw 500Kw 800Kw 1Mw Battery ...

Application Scenario of Sunway Energy Storage Container Energy Storage System 1. PV station 2. Wind Grid side power station 3. Frequency regulation ...



- ✓ IP65/IP55 OUTDOOR CABINET
- ✓ OUTDOOR CABINET WITH AIR CONDITIONER
- ✓ OUTDOOR ENERGY STORAGE CABINET
- ✓ 19 INCH

Robust BESS Container Design: Standards-Driven ...

Jun 18, 2025 · Discover how to engineer a Battery Energy Storage System (BESS) container that meets UL 9540, IEC 62933 and ISO shipping ...

Containerized Battery Energy Storage Systems (BESS)

Our's Containerized Battery Energy Storage Systems (BESS) offer a streamlined, modular approach to energy storage. Packaged in ISO-certified containers, our Containerized BESS ...



BESS Container Systems , Battery Energy Storage ...

Battery Energy Storage System in Containerized Format The BESS container refers to an integrated energy

storage system contained within standard ...



World's 1st 8 MWh grid-scale battery with 541 ...

Sep 9, 2024 · The world's highest energy density grid-scale battery storage system is housed in a standard 20-foot container. iStock



BESS Failure Incident Database

4 days ago · Some helpful definitions follow: BESS: A stationary energy storage system using battery technology. The focus of the database is on lithium ion ...



Containerized Battery Energy Storage System ...

Jun 28, 2024 · What are containerized BESS? Containerized Battery Energy Storage Systems (BESS) are essentially large batteries housed within storage ...



BYD Energy

Aug 6, 2025 · As a global pathfinder, leader and expert in battery energy storage system, BYD Energy Storage specializes in the R& D, manufacturing, marketing, service and recycling of the ...



Energy Storage

Container Platform for Utility & Commercial ESS Battery cells UPS Backup Power Backup power for 5G communication base station Synchronous condenser About Us Group Profile ...



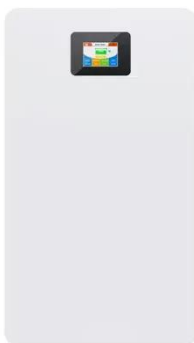
Battery Energy Storage System

Eco Power designs and manufactures world class lithium ion energy storage battery systems for various industries which includes but not limit to vehicles, ...



Container base station energy room

Apr 10, 2025 · Container-type energy base station: It is a large-scale outdoor base station, which is used in scenarios such as communication base stations, smart cities, transportation, power ...



Robust BESS Container Design: Standards-Driven ...

Jun 18, 2025 · A Battery Energy Storage System container is more than a metal shell--it is a frontline safety barrier that shields high-value batteries, power ...

The Ultimate Guide to Battery Energy Storage ...

Sep 20, 2024 · Battery Energy Storage Systems (BESS) are pivotal technologies for sustainable and efficient energy solutions. This article provides a ...



Battery Energy Storage Systems (BESS): How ...

Apr 15, 2025 · Battery Energy Storage Systems (BESS), also referred to in this article as "battery storage systems" or simply "batteries", have become ...

Contact Us

For catalog requests, pricing, or partnerships, please visit:
<https://www.wf-budownictwo.pl>